

Product Information

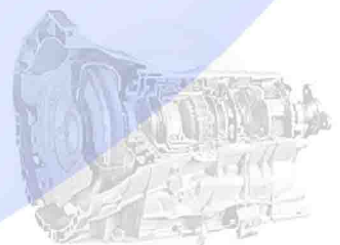
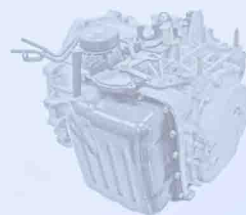
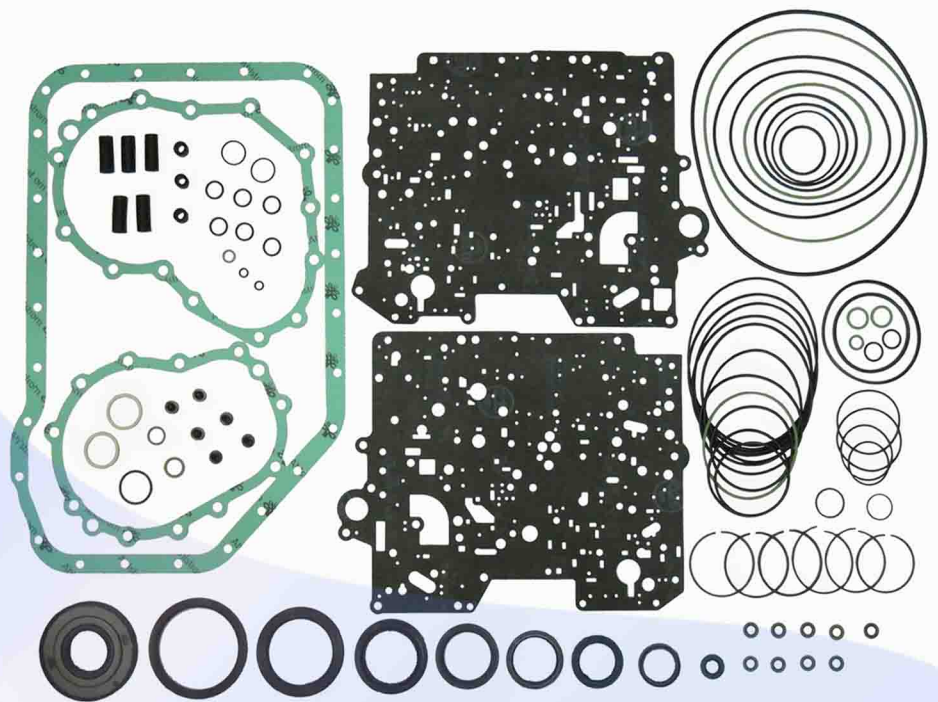
~ NATK



ISO-9001/14001
ISO/TS-16949
OHSAS-18001

NAK Automotive Transmission Kits

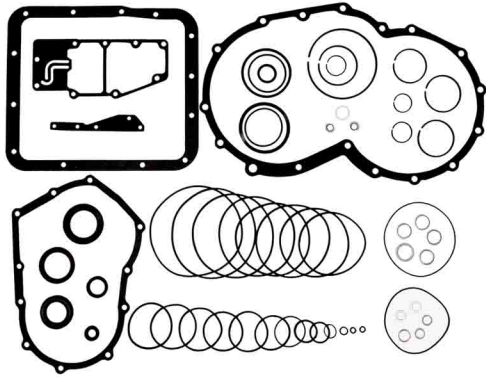
Congregating the components needed for a maintenance or repair, NATK transmission kits offer the professional and perfect solutions in automotive aftermarket. NAK provides the reliable high-quality and cost-effective automotive transmission kits to help technicians save time and costs in components sourcing and installation.



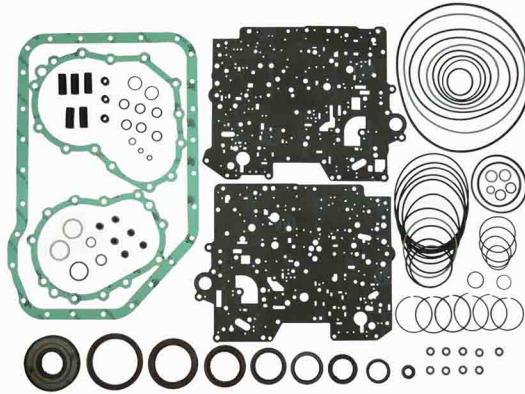
Navigator of Sealing Technology

NAK Automotive Transmission Kits

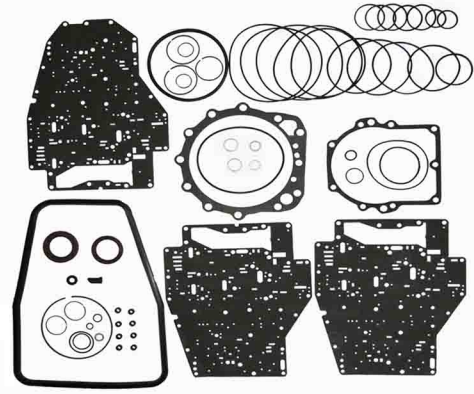
NATK 0001



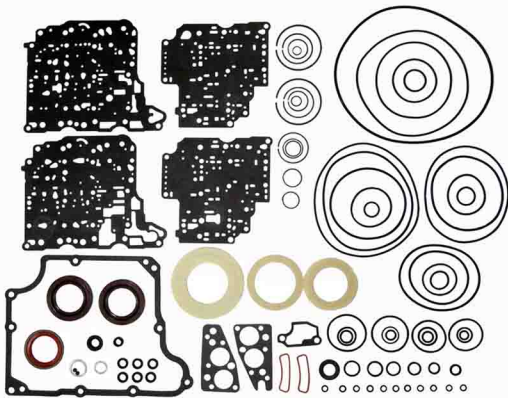
NATK 0002



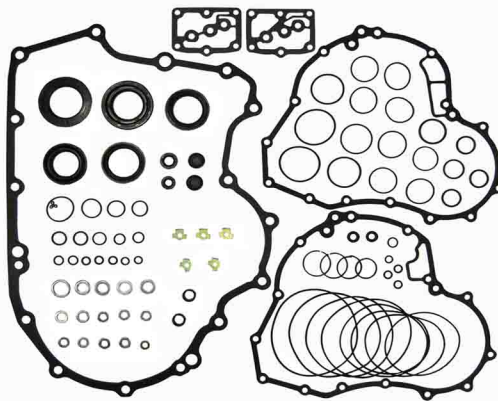
NATK 0003



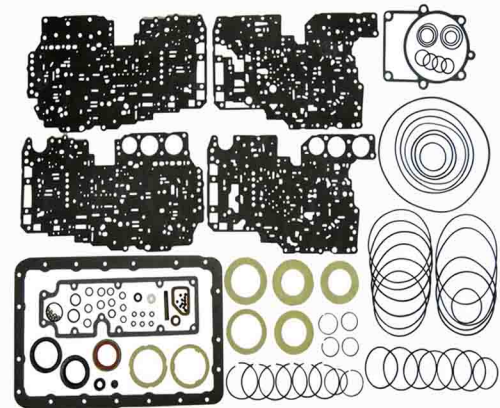
NATK 0004



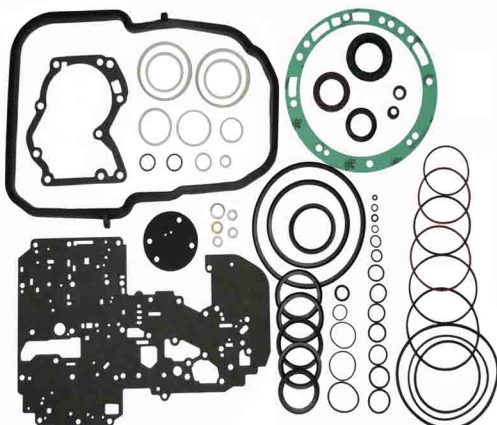
NATK 0005



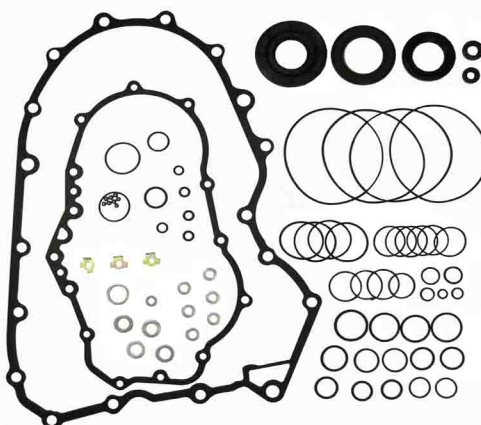
NATK 0006



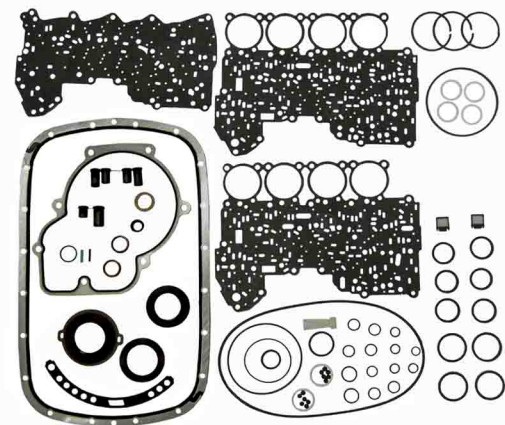
NATK 0007



NATK 0008

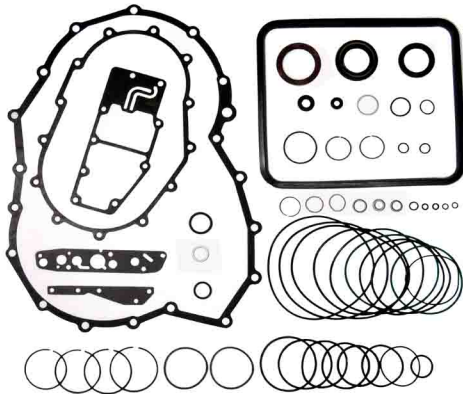


NATK 0009

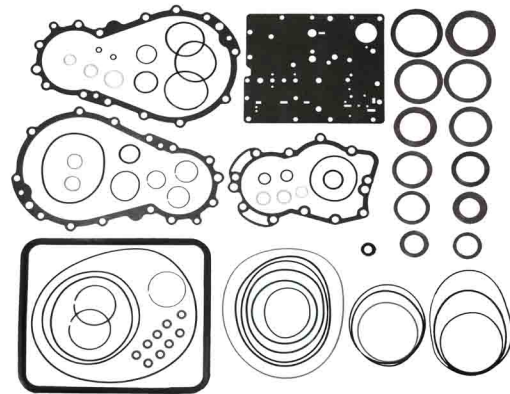


NAK Automotive Transmission Kits

NATK 0010



NATK 0011



NAK No.	Transmission	Application
NATK 0001	ZF-4HP-14 (1036.000.165)	AUSTIN, CITROEN, DAEWOO, PEUGEOT
NATK 0002	ZF-5HP-19FLA (1060.298.031)	AUDI, BMW, PORSCHE, VOLKSWAGEN
NATK 0003	ZF-4HP-22 (1043.298.100)	AUSTIN, BMW, CHEVROLET, JAGUAR, LAND ROVER, MASERATI, PEUGEOT
NATK 0004	ALTO-110800	DAEWOO, RENAULT, SAAB, SUZUKI, VAUXHALL, VOLVO
NATK 0005	ALTO-119800	ACURA, HONDA, ISUZU
NATK 0006	ALTO-073800	ISUZU, LEXUS, TOYOTA
NATK 0007	A201 270 48 01	MERCEDES-BENZ
NATK 0008	ALTO-058802D	HONDA
NATK 0009	ALTO-156800X	BMW, CADILLAC
NATK 0010	ZF-4HP-18 (1050.298.040)	ALFA ROMEO, CITROEN, FIAT, LANCIA, PEUGEOT, SAAB
NATK 0011	ZF-4HP-18FLA (1050.298.041)	AUDI

NAK is proud to offer this line of high-quality automotive transmission kits which reduce overall cost, time of sourcing and installation for technicians. More transmission kits and applications are under developing and coming soon. If you have any inquiries, please contact with us for more information.



Taiwan (NAK Headquarters)

NAK SEALING TECHNOLOGIES CORPORATION

No.336, Industrial Road, Nankang Industrial Zone, Nantou City 54065, Taiwan

TEL : 886-49-2255011

FAX : 886-49-2250035

E-mail : service@mail.nak.com.tw

www.nak.com.tw



Japan

NAK SEALING TECHNOLOGIES CORPORATION TOKYO OFFICE

5F Toda Building 21 Yotsuya 1 - Chome, Shinju ku-ku, Tokyo, 160-0004 Japan

TEL : 81-3-53668256

FAX : 81-3-53668252

E-mail : kamiguchi@kk-nitto.co.jp



Thailand

NAK SEALING PRODUCTS(THAILAND) CO., LTD.

120/36 Moo 12 Soi 21/2 Kingkaew-Bangplee Road, Tumbul Rachatewa, Ampur Bangplee Samutprakarn 10540, Thailand

TEL : 66-2-750-1988

FAX : 66-2-750-1868

E-mail : sales@mail.thainak.com



Russia

NAK INTERNATIONAL LTD.

Russia, Postal Index 143956, Moscow Region, Balashiha, Mikroraion Nikolsko-Arhangelskiy, Vishnyakovskoe Shosse, 56, "NAK INTERNATIONAL LTD."

TEL : 7-495-545-94-00

FAX : 7-495-646-79-29

E-mail : info@naksealing.ru

www.naksealing.ru



China

KUNSHAN MAOSHUN SEALING PRODUCTS INDUSTRIAL CO., LTD.

No.271, Xingpu Road, Zhoushi Town, Kun Shan City, Jiangsu Prov., China 215337

TEL : 86-512-57666240; 86-512-57665788

FAX : 86-512-57665827; 86-512-57664409

E-mail : sales@nak.com.cn

www.ksnak.com



Iran

KISH NAK OIL SEAL MFG. CO., LTD.

No.67, Eshghyar St. Khorramshahr Ave., Tehran 15339, Iran

TEL : 98-21-88761965

FAX : 98-21-88741319

E-mail : kishnak@parsonline.net



India

NAK-FPS SEALING TECHNOLOGIES PVT. LTD.

Plot No.1, Phase II, Dr.Vikram Sarabhai Industrial Estate, Thiruvanmiyur, Chennai - 600 041, Tamilnadu, India.

TEL : 91-44-64586657; 91-44-64586661

FAX : 91-44-43593714

E-mail : fpsgbs@md2.vsnl.net.in



Brazil

NAK DO BRASIL INDUSTRIA E COMERCIO DE COMPONENTES DE VEDACAO LTDA

Rua Soldado Benedito Eliseo Dos Santos, NRO 10 CEP 02177-020, Sao Paulo S.P, Brazil

TEL : 55-11-3807-3001; 55-11-3486-5228

FAX : 55-11-3807-3002

E-mail : nakbrasil@nakbrasil.com.br

comercial@nakbrasil.com.br



Disclaimer

1. NAK products are not intended to be used, installed or applied in or on any aerospace related instruments and/or equipment. Any such use, installation, or application is prohibited and shall void all warranties.
2. NAK disclaims any and all express or implied warranties if the products :
 - 2.1 are modified or tampered with;
 - 2.2 are misused, abused or misapplied;
 - 2.3 are used in a critical environment or specific equipment without NAK's prior written consent;
 - 2.4 are not used in accordance with the printed user instruction materials; or
 - 2.5 are damaged due to natural deterioration, decomposition or transformation of chemical structure.
3. The products may be applied in critical environment or specific equipment only upon official confirmation of the sample by NAK's technical personnel and the passing of tests conducted by buyer.



NAK Sealing Technologies Corporation

Address : No. 336, Industrial Rd., Nankang Industrial Zone, Nantou Taiwan

Tel : +886-49-2255011 Fax : +886-49-2250035 Website : www.nak.com.tw